

PARTS LIST

[KS-F315]

* All printed circuit boards and its assemblies are not available as service parts.

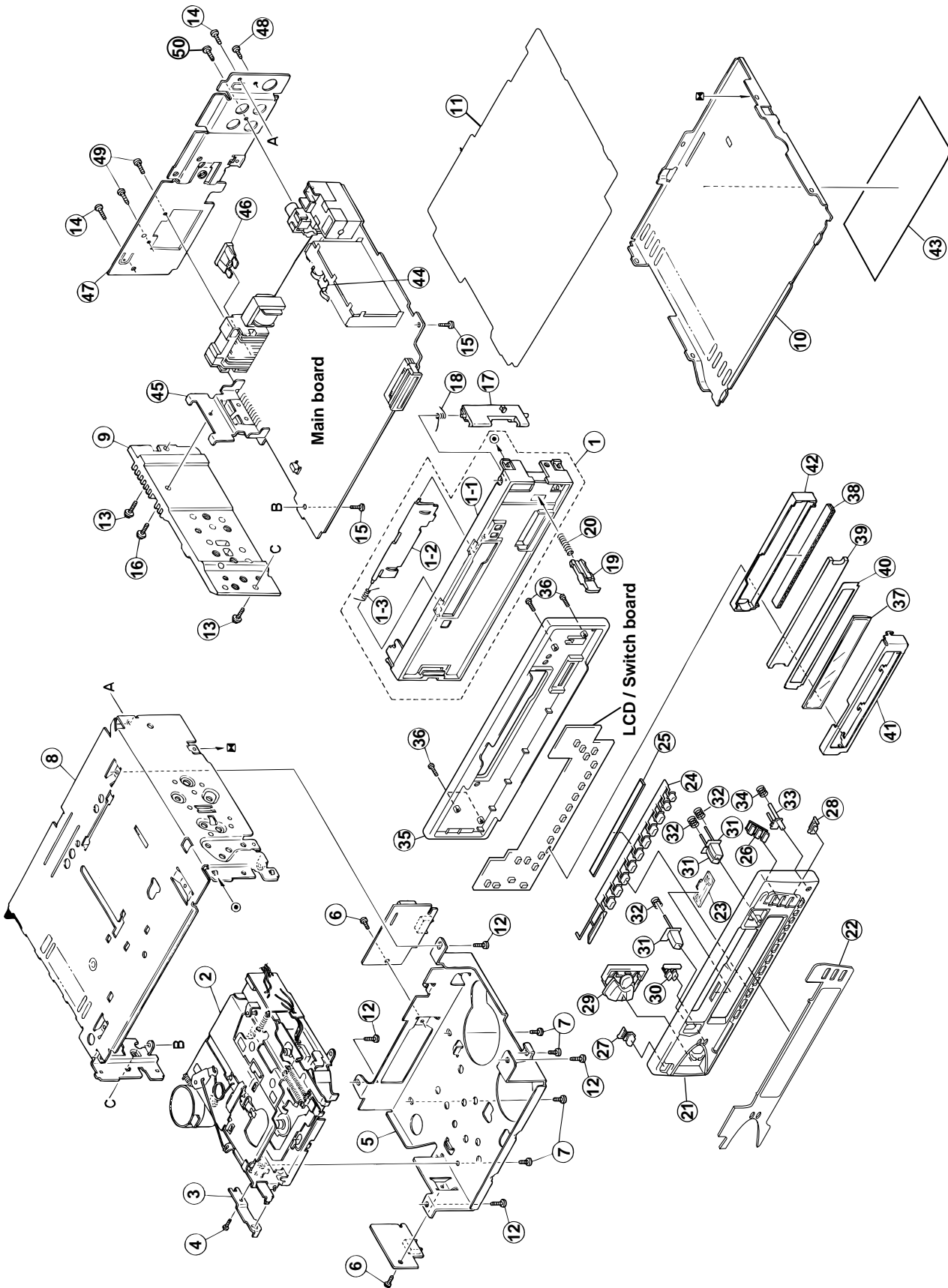
Area suffix
EE ----- Russian Federation

- Contents -

Exploded view of general assembly and parts list	3- 2
Cassette mechanism assembly and parts list	3- 4
Electrical parts list	3- 9
Packing materials and accessories parts list	3-12

Exploded view of general assembly and parts list

Block No. M 1 M M



Parts list (General assembly)

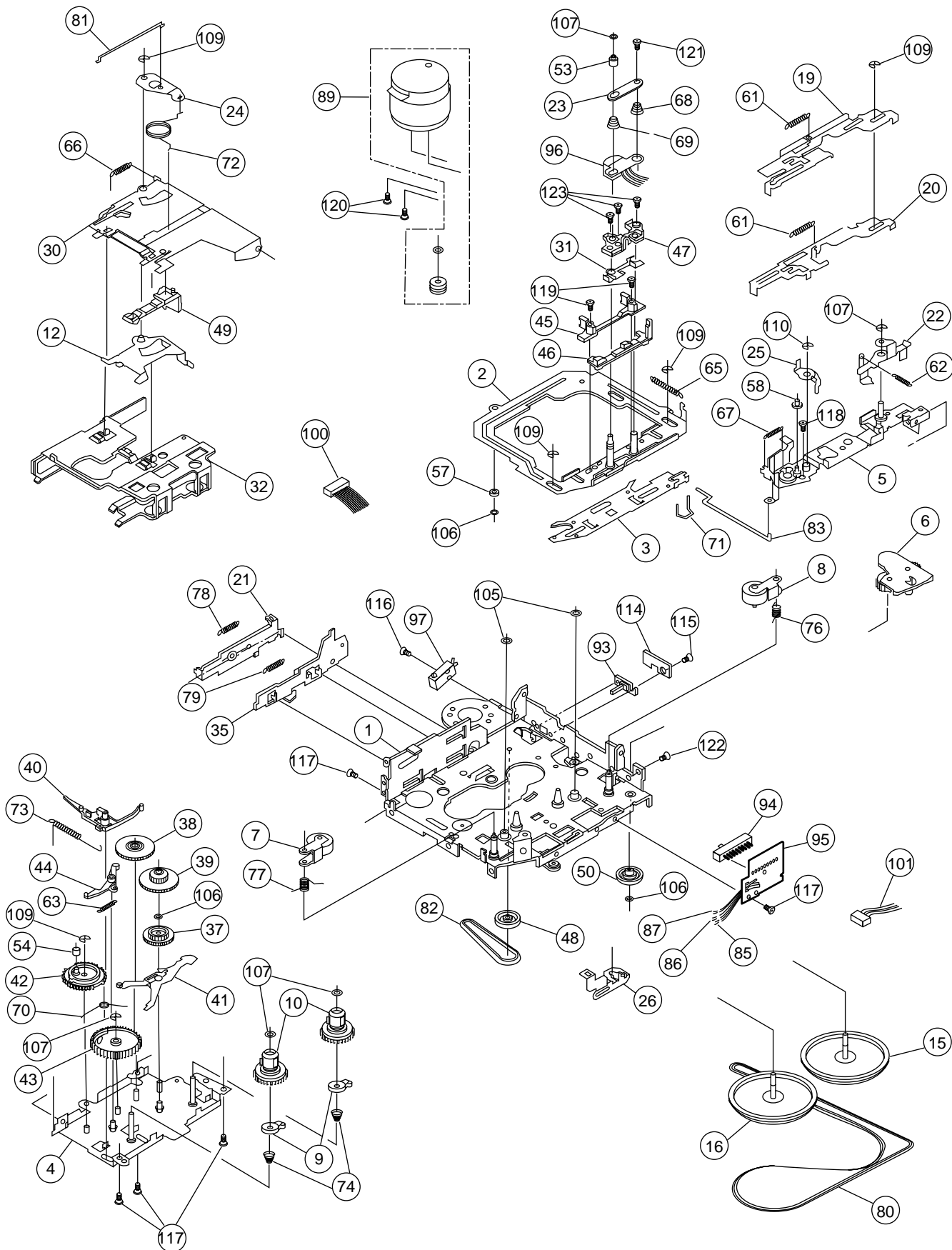
Block No. M1MM

△	Item	Parts number	Parts name	Q'ty	Description	Area
	1	ZCKSF150J-FB	FRONT CHASSIS A	1		
	1-1	FSJC1055-001	FRONT CHASSIS	1		
	1-2	FSJC4003-029	CASSETTE LID	1		
	1-3	VKW4947-002	DOOR SPRING	1		
	2	-----	CDS-363SJ1	1	MECHA W/O METAL	
	3	VKL7821-001	EJECT LEVER	1		
	4	QYSPSPT2625Z	MINI SCREW	1		
	5	FSKM2005-002	MECHA BRACKET	1		
	6	QYSDST2605Z	SCREW	2	PCB+MECHA	
	7	QYSDSP2604Z	SCREW	4	MECHA+M.BKT	
	8	FSJC1029-012	TOP CHASSIS	1		
	9	FSMH3001-201	SIDE PANEL	1		
	10	FSKM3011-002	BOTTOM COVER	1		
	11	FSMA3004-203	INSULATOR	1		
	12	QYSDST2605Z	SCREW	4	CHASSIS+MECHA BKT	
	13	FSKZ4005-001	SCREW	2	CHASSIS+SIDE PANEL	
	14	QYSDST2604Z	SCREW	2	CHASSIS+REAR BKT	
	15	QYSDST2606Z	SCREW	2	CHASSIS+MAIN PWB	
	16	FSKZ4005-001	SCREW	1	SIDE PANEL+IC BKT	
	17	FSKS3010-001	LOCK LEVER	1		
	18	FSKW4005-003	TORSION SPRING	1		
	19	FSXP3026-002	RLS KNOB	1		
	20	FSKW3002-004	COMP.SPRING	1		
	21	FSJC1053-006	FRONT PANEL	1		
	22	FSJD3022-00F	FINDER ASSY	1		
	23	FSJK3014-001	LIGHT LENS	1		
	24	FSXP2035-109	PRESET BUTTON	1		
	25	FSYH4036-031	SHEET	1	PRESET BUTTON	
	26	FSXP2034-038	D FUNC BUTTON	1	FM/AM/EX	
	27	FSXP3053-002	POWER BUTTON	1		
	28	FSXP4005-026	BBE BUTTON	1		
	29	FSXP2044-001	COMBO BUTTON	1		
	30	FSXP3068-003	PUSH BUTTON	1		
	31	FSXP4007-00A	OPERAT BUTTON	3		
	32	FSKW3002-003	COMP SPRING	3	FOR OPERAT BUTTON	
	33	FSXP3055-001	DETACH BUTTON	1		
	34	FSKW3002-012	COMP SPRING	1	FOR DETACH BUTTON	
	35	FSJC1054-001	REAR COVER	1		
	36	VKZ4777-001	MINI SCREW	4	F.PANEL+REAR COVER	
	37	QLD0145-001	LCD MODULE	1		
	38	QNZ0439-001	RUBBER CONNE	1		
	39	FSJK3034-001	LCD LENS	1		
	40	FSYH4076-001	LIGHTING SHEET	1		
	41	FSYH3022-001	LCD CASE	1		
	42	FSKS3021-001	LENS CASE	1		
	43	GE30129-002A	NAME PLATE	1		
	44	VMA4652-001SS	EARTH PLATE	1		
	45	FSKL4018-00B	IC BRACKET	1		
△	46	QMFZ047-100-T	FUSE	1		
	47	FSKM3010-013	REAR BRACKET	1		
	48	QYSDST2606Z	SCREW	1	REAR BKT+ANT JACK	
	49	QYSDST2606Z	SCREW	2	REAR BKT+15P CN	
	50	QYSDSF3006Z	SCREW	1	REAR BKT+PIN JACK	

Cassette mechanism assembly and parts list

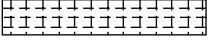

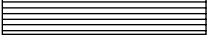


CDS-363SJ1

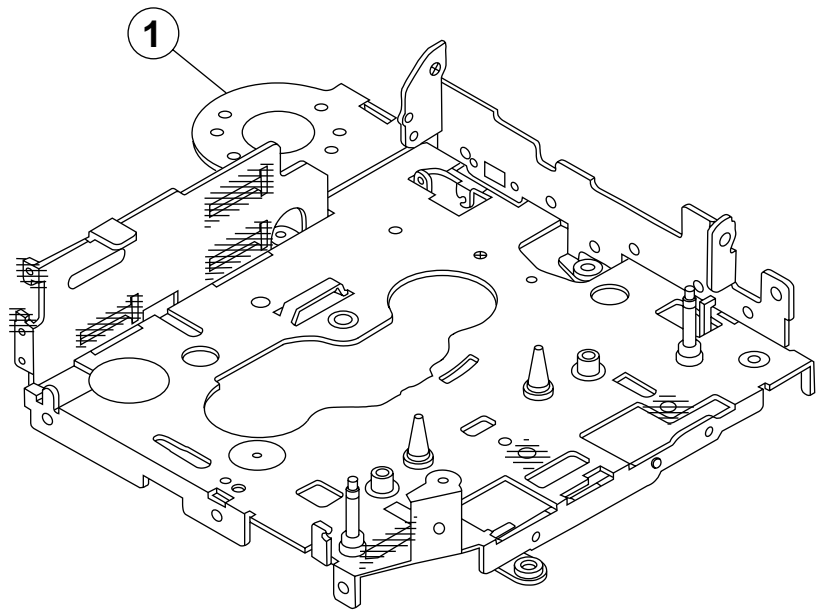
Block No. M 2 M M



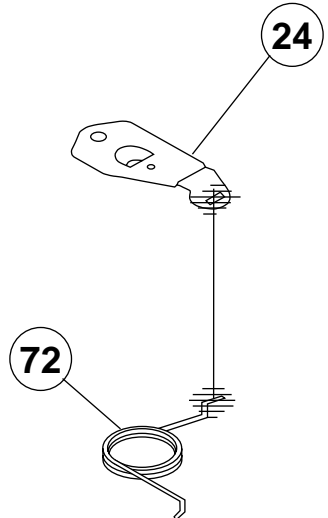
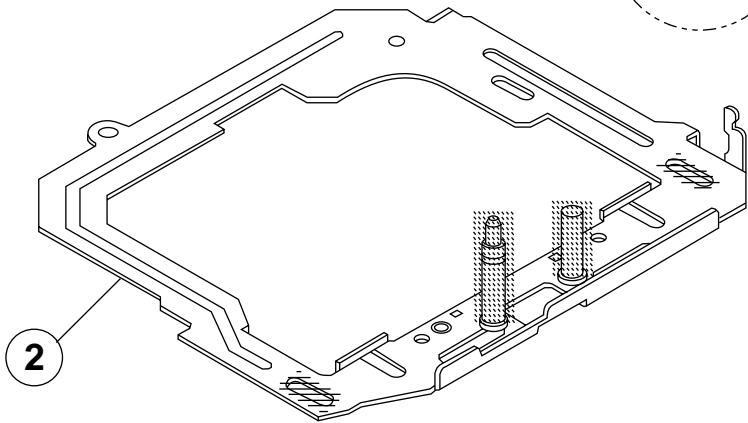
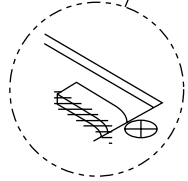
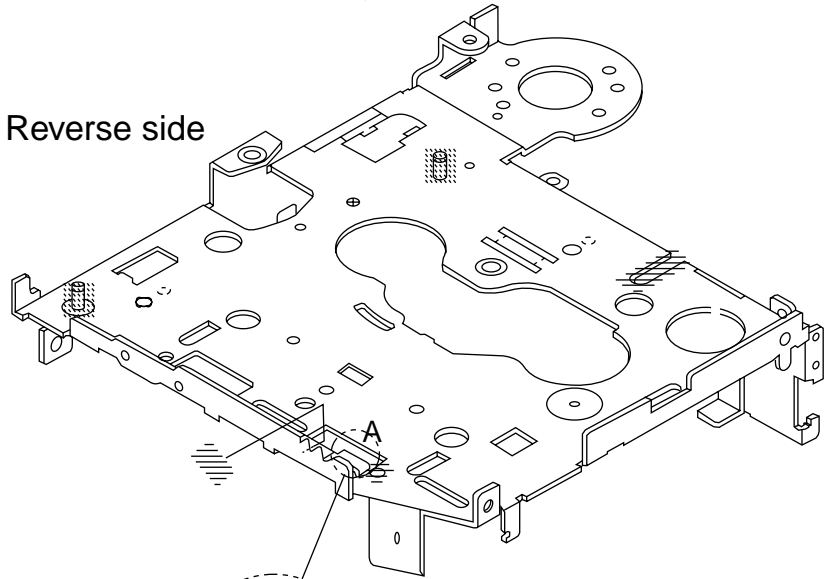
Grease point 1/2

Grease

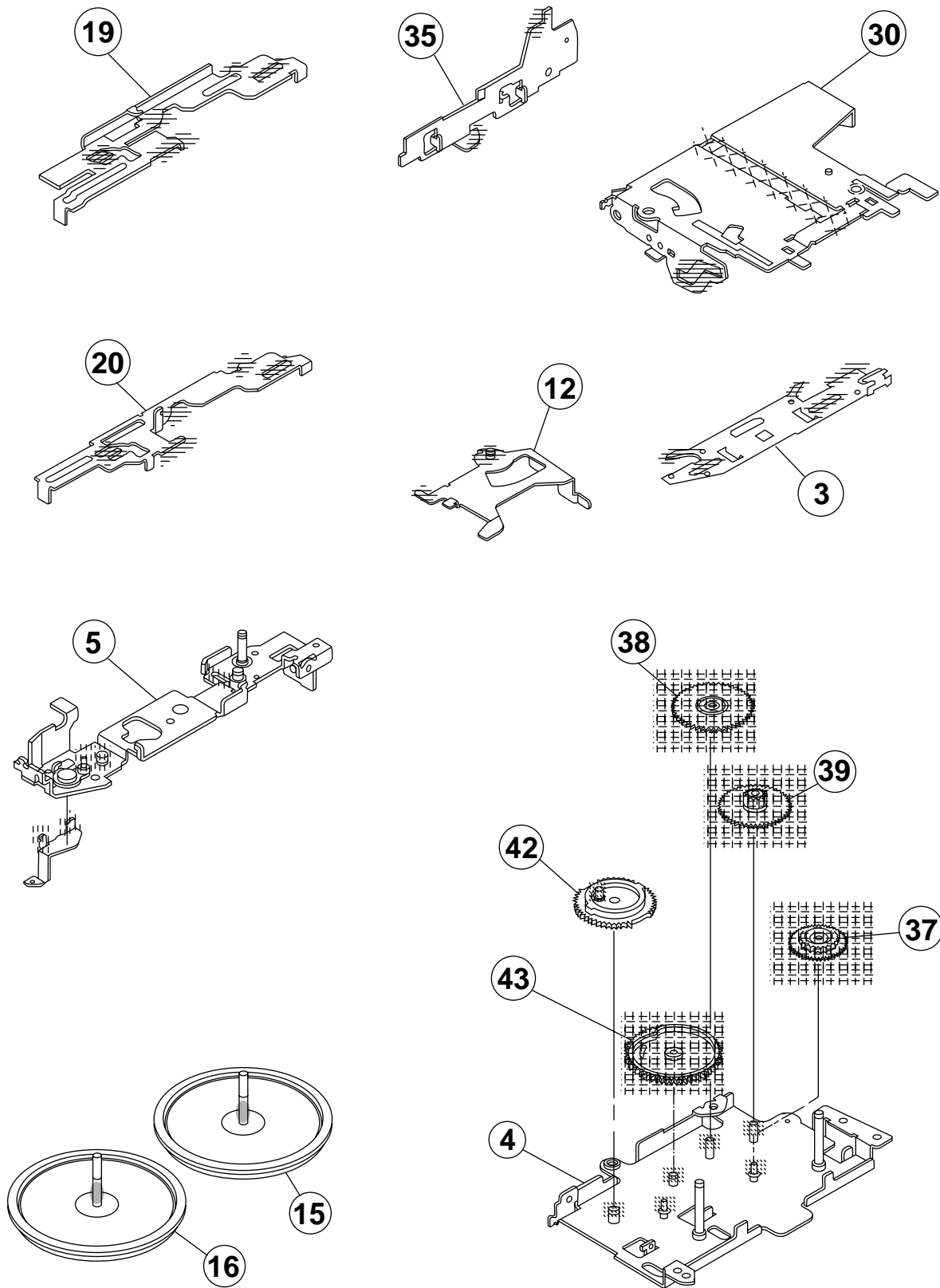
	FL-942
	SW-902
	SW522B
	FG-84M
	C68



Reverse side



Grease point 2/2



Parts list (Cassette mechanism)

Block No. M2MM

△	Item	Parts number	Parts name	Q'ty	Description	Area
	1	X-0363-1001S	MAIN CHASSIS AS	1		
	2	X-0363-1002S	HEAD PLATE ASSY	1		
	3	X-0363-1004S	FR CONVERT ARM	1	(A)	
	4	X-0363-6001S	REEL BASE ASSY	1		
	5	X-0363-6007S	LEVER BRACKET	1	(HD)	
	6	X-0363-6003S	TU GEAR ARM ASS	1		
	7	X-0363-6004S	PINCH ARM(R) AS	1		
	8	X-0363-6005S	PINCH ARM(F) AS	1		
	9	X-0363-6006S	DETECTOR CAM AS	2	(V)	
	10	X-0363-2005S	REEL SPINDLE AS	2		
	12	X-0363-1019S	EJ.CAM LOCK ASS	1		
	15	1-0363-6010S	FLYWHEEL ASSY(F	1	CPL	
	16	1-0363-6011S	FLYWHEEL ASSY(R	1	CPL	
	19	1-0036-1065S	FF LEVER(JVC)	1		
	20	1-0036-1066S	REW LEVER(JVC)	1		
	21	1-0036-1007S	EJECT LEVER	1		
	22	1-0036-1013S	LOCK ARM	1		
	23	1-0036-1015S	SPG SUPPORT PLT	1		
	24	1-0036-1018S	CENTER PLATE	1		
	25	1-0036-1023S	CHANGE LEVER(B)	1		
	26	1-0036-1026S	FR ARM(B)	1		
	30	1-0138-1002S	CASSETTE HANGER	1	(X)	
	31	1-0138-1006S	ADJUSTER SHIM	1	(X)	
	32	1-0138-1010S	CASSETTE HOLDER	1	(X)	
	35	1-0363-1003S	EJECT CAM	1		
	37	1-0036-2001S	IDLE GEAR	1		
	38	1-0036-2003S	REDUCTION GEAR	1	(B)	
	39	1-0036-2004S	REDUCTION GEAR	1	(A)	
	40	1-0036-2007-5S	RATCHET	1		
	41	1-0036-2009S	SENSOR ARM	1		
	42	1-0036-2010S	SELECTOR GEAR	1		
	43	1-0036-2014S	DETECTOR GEAR	1		
	44	1-0038-2014S	GEAR LOCK ARM	1		
	45	1-0038-2018S	TAPE GUIDE	1		
	46	1-0363-2006S	ADJUSTER LINK(B	1		
	47	1-0138-2005-3S	ADJUSTER ARM	1	BLUE	
	48	1-0036-2005S	PULLEY GEAR	1		
	49	1-0032-2007S	TAPE HOOKER	1		
	50	1-0058-2021-5S	IDLE PULLEY(A)	1		
	53	1-0363-3018S	FF ROLLER	1		
	54	1-0036-3018S	COLLAR	1	(SELECTOR GEAR)	
	57	1-0363-3007S	HP ROLLER(A)	1		
	58	1-0363-3011S	PROGRAM ROLLER	1		
	61	1-0036-4001S	FF/REW LEVER SP	2		
	62	1-0036-4002S	LOCK LEVER SPG	1		
	63	1-0036-4003S	G.LOCK ARM SPG	1		
	65	1-0036-4006S	HEAD PLATE SPG	1		
	66	1-0036-4007S	EJ.CAM LOCK SPG	1		

Parts list (Cassette mechanism)

Block No. M2MM

△	Item	Parts number	Parts name	Q'ty	Description	Area
	67	1-0036-4008S	PROGRAM ARM SPG	1		
	68	1-0036-4010S	ADJUSTER ARM SP	1	(A)	
	69	1-0036-4011S	ADJUSTER ARM SP	1	(B)	
	70	1-0036-4015S	DASH SPG	1		
	71	1-0036-4017S	S.SELECT ARM SP	1		
	72	1-0036-4023S	CENTER PLT SP(B	1		
	73	1-0038-4014S	RATCHET SPG	1		
	74	1-0138-4001S	BACK TENSION SP	2		
	76	1-0363-4003S	PINCH ARM SPG F	1		
	77	1-0363-4004S	PINCH ARM SPG R	1		
	78	1-0363-4005S	EJECT LEVER SPG	1		
	79	1-0036-4005S	EJECT CAM SPG	1		
	80	1-0036-5020S	MAIN BELT(AL)	1		
	81	1-0363-5007S	RETURN LINK	1		
	82	1-0036-5001S	SUB BELT	1		
	83	1-0363-5003S	SELECTOR LINK(B	1		
	85	1-0036-7002S	WIRE(A)	1	BLACK 60MM	
	86	1-0036-7003S	WIRE(B)	1	RED 60MM	
	87	1-0036-7073S	WIRE(AL)	1	YELLOW 55MM	
	89	X-0363-7006S	MOTOR ASSY	1		
	93	1-0363-7001S	MUTE SWITCH	1		
	94	1-0363-7002S	SLIDE SWITCH	1		
	95	1-0363-7008S	SLIDE SW PWB	1		
	96	1-0036-7016S	HEAD	1		
	97	1-0363-7005S	POWER SWITCH	1		
	100	1-0036-7089S	6P WIRE ASY(JVC	1		
	101	1-0036-7088S	5P WIRE ASY(JVC	1		
	105	2-1816-0032-E8S	LMW-S	2		
	106	2-1812-0030-D2S	PSW-S	3		
	107	1-0036-5024S	PSW(REEL)B	5		
	109	2-1712-0050-16S	E RING	5		
	110	2-1712-5060-16S	E RING	1		
	114	1-0363-7015S	MUTE SW PWB	1		
	115	2-1331-7040-C2S	SCREW S	1		
	116	2-1331-7060-C2S	SCREW S	1		
	117	2-1382-0030-C2S	SCREW B	5		
	118	2-1332-0040-C1S	SCREW S	1		
	119	2-1032-0070-C2S	SCREW	2		
	120	2-1032-0025-C2S	SCREW	2		
	121	2-1012-0040-C2S	SCREW	1		
	122	2-1012-0030-F2S	SCREW	1		
	123	1-0138-5002S	AZIMUTH SCREW	3		

■ Electrical parts list (Main board)

Block No. 01

△	Item	Parts number	Parts name	Remarks	Area	△	Item	Parts number	Parts name	Remarks	Area
C 2	QDX11EK-223Z	C CAPACITOR				C 971	QERF1EM-475Z	E CAPACITOR		4.7MF 20% 25V	
C 3	QEKJ1HM-104Z	E CAPACITOR		.10MF 20% 50V		C 972	QER41AM-227	E CAPACITOR		220MF 20% 10V	
C 4	QEKJ1HM-104Z	E CAPACITOR		.10MF 20% 50V		C 981	QEZ0337-228	E CAPACITOR		2200MF	
C 5	QEK41CM-106	E CAPACITOR		10MF 20% 16V		C 982	QDYB1CM-103Y	C CAPACITOR			
C 6	QDX11EK-223Z	C CAPACITOR				C 983	QDYB1CM-103Y	C CAPACITOR			
C 7	QDX11EK-223Z	C CAPACITOR				C 984	QER41CM-106	E CAPACITOR		10MF 20% 16V	
C 8	QERF1HM-104Z	E CAPACITOR		.10MF 20% 50V		C 985	QRE141J-472Y	C RESISTOR		4.7K 5% 1/4W	
C 9	QDYB1CM-103Y	C CAPACITOR				C 986	QER41CM-106	E CAPACITOR		10MF 20% 16V	
C 11	QDYB1CM-103Y	C CAPACITOR				C 987	QEK41CM-106	E CAPACITOR		10MF 20% 16V	
C 15	QDYB1CM-103Y	C CAPACITOR				C 988	QER41CM-476	E CAPACITOR		47MF 20% 16V	
C 101	QDGB1HK-821Y	C CAPACITOR				CJ701	VMC0334-001	CONNECTOR		TO FRONT PANEL	
C 102	QEK41HM-474	E CAPACITOR		.47MF 20% 50V		CJ901	QGA2002C1-05	CONNECTOR			
C 103	QCBB1HK-101Y	C CAPACITOR		100PF 10% 50V		CJ921	QNN0183-001	PIN JACK			
C 104	QEKJ0JM-476Z	E CAPACITOR		47MF 20% 6.3V		CN721	QGB1214J1-06S	CONNECTOR		TO MECHA	
C 105	QFV61HJ-103Z	MF CAPACITOR		.010MF 5% 50V		CN901	QGB1214J1-06S	CONNECTOR		TO MECHA	
C 131	QEKJ1HM-105Z	E CAPACITOR		1.0MF 20% 50V		CP721	QGB1214K1-06S	CONNECTOR			
C 132	QEKJ1HM-105Z	E CAPACITOR		1.0MF 20% 50V		CP722	QGA2002F1-06	CONNECTOR			
C 134	QFLK1HJ-822Z	M CAPACITOR		8200PF 5% 50V		CP901	QGB1214K1-06S	CONNECTOR			
C 135	QFV61HJ-154Z	MF CAPACITOR		.15MF 5% 50V		CP981	QNZ0002-001	16P CONNECTOR			
C 136	QFV61HJ-224Z	MF CAPACITOR		.22MF 5% 50V		D 1	1SS119-041	SI DIODE			
C 137	QFV61HJ-333Z	MF CAPACITOR		.033MF 5% 50V		D 2	1SS119-041	SI DIODE			
C 138	QFLK1HJ-562Z	M CAPACITOR		5600PF 5% 50V		D 161	1SS119-041	SI DIODE			
C 150	QER41HM-105	E CAPACITOR		1.0MF 20% 50V		D 261	1SS119-041	SI DIODE			
C 152	QCBB1HK-471Y	C CAPACITOR		470PF 10% 50V		D 704	MTZJ5.6B-T2	ZENER DIODE			
C 160	QEKJ1HM-105Z	E CAPACITOR		1.0MF 20% 50V		D 705	MTZJ5.6B-T2	ZENER DIODE			
C 162	QCBB1HK-471Y	C CAPACITOR		470PF 10% 50V		D 706	MTZJ5.6B-T2	ZENER DIODE			
C 201	QDGB1HK-821Y	C CAPACITOR				D 707	MTZJ5.6B-T2	ZENER DIODE			
C 202	QERF1HM-474Z	E CAPACITOR		.47MF 20% 50V		D 708	MTZJ5.6B-T2	ZENER DIODE			
C 203	QCBB1HK-101Y	C CAPACITOR		100PF 10% 50V		D 709	MTZJ5.6B-T2	ZENER DIODE			
C 204	QEKJ0JM-476Z	E CAPACITOR		47MF 20% 6.3V		D 711	MTZJ5.6B-T2	ZENER DIODE			
C 205	QFV61HJ-103Z	MF CAPACITOR		.010MF 5% 50V		D 716	1SS119-041	SI DIODE			
C 231	QER41HM-105	E CAPACITOR		1.0MF 20% 50V		D 718	1SS119-041	SI DIODE			
C 232	QER41HM-105	E CAPACITOR		1.0MF 20% 50V		D 719	QUY150-050Y	BUS WIRE			
C 234	QFLK1HJ-822Z	M CAPACITOR		8200PF 5% 50V		D 771	MTZJ9.1C-T2	Z DIODE			
C 235	QFV61HJ-154Z	MF CAPACITOR		.15MF 5% 50V		D 781	1SS119-041	SI DIODE			
C 236	QFV61HJ-224Z	MF CAPACITOR		.22MF 5% 50V		D 782	1SS119-041	SI DIODE			
C 237	QFV61HJ-333Z	MF CAPACITOR		.033MF 5% 50V		D 784	DSK10C-T1	DIODE			
C 238	QFLK1HJ-562Z	M CAPACITOR		5600PF 5% 50V		D 785	DSK10C-T1	DIODE			
C 250	QER41HM-105	E CAPACITOR		1.0MF 20% 50V		D 786	DSK10C-T1	DIODE			
C 252	QCBB1HK-471Y	C CAPACITOR		470PF 10% 50V		D 791	1SS119-041	SI DIODE			
C 260	QER41HM-105	E CAPACITOR		1.0MF 20% 50V		D 792	1SS119-041	SI DIODE			
C 262	QCBB1HK-471Y	C CAPACITOR		470PF 10% 50V		D 973	1SS119-041	SI DIODE			
C 701	QDUB1HJ-270Y	C CAPACITOR				D 974	1SS119-041	SI DIODE			
C 702	QDCB1HJ-220Y	C CAPACITOR				D 981	1N5401-TM	DIODE			
C 703	QERF0JM-107Z	E CAPACITOR		100MF 20% 6.3V		D 990	MTZ11B-T2	SI DIODE			
C 704	QFV61HJ-224Z	MF CAPACITOR		.22MF 5% 50V		IC701	LC72362N-9997	IC			
C 705	QER41CM-106	E CAPACITOR		10MF 20% 16V		IC781	AN80T05LF	IC		REGULATOR	
C 706	QDYB1CM-103Y	C CAPACITOR				IC901	UPC1228HA	IC			
C 707	QFV61HJ-103Z	MF CAPACITOR		.010MF 5% 50V		IC931	TEA6320T-X	IC			
C 771	QER41AM-227	E CAPACITOR		220MF 20% 10V		IC981	HA13158A	IC			
C 772	QERF1HM-225Z	E CAPACITOR		2.2MF 20% 50V		J 1	QNZ0009-001	CAR ANT JACK			
C 773	QDGB1HK-102Y	C CAPACITOR				L 1	QQL231K-4R7Y	INDUCTOR			
C 781	QEK41CM-106	E CAPACITOR		10MF 20% 16V		L 781	QQL231K-470Y	INDUCTOR			
C 783	QETN0JM-228Z	E CAPACITOR		2200MF 20% 6.3V		L 782	QQL231K-470Y	INDUCTOR			
C 784	QER41AM-227	E CAPACITOR		220MF 20% 10V		L 783	QQL231K-470Y	INDUCTOR			
C 785	QER41HM-105	E CAPACITOR		1.0MF 20% 50V		L 981	QQR0704-001	CHOKE COIL			
C 786	QETM1AM-228	E CAPACITOR		2200MF 20% 10V		Q 1	2SA1706/ST-T	TRANSISTOR			
C 901	QEKJ1AM-107Z	E CAPACITOR		100MF 20% 10V		Q 2	KRC102M-T	D TRANSISTOR			
C 931	QEKJ1AM-107Z	E CAPACITOR		100MF 20% 10V		Q 3	KTA1267/YG/-T	TRANSISTOR			
C 932	QDYB1CM-103Y	C CAPACITOR				Q 5	KRC102M-T	TRANSISTOR			
C 933	QER41AM-107	E CAPACITOR		100MF 20% 10V		Q 161	2SD2144S/VW-T	TRANSISTOR			
C 934	QER41CM-476	E CAPACITOR		47MF 20% 16V		Q 261	2SD2144S/VW-T	TRANSISTOR			
C 951	QERF1EM-475Z	E CAPACITOR		4.7MF 20% 25V		Q 701	KTC3199/GL-T	TRANSISTOR			

■ Electrical parts list (Main board)

Block No. 01

△	Item	Parts number	Parts name	Remarks	Area
	Q 771	KTC3199/GL/-T	TRANSISTOR		
	Q 772	KTC3199/GL/-T	TRANSISTOR		
	Q 781	KRC102M-T	D TRANSISTOR		
	Q 782	2SA1706/ST/-T	TRANSISTOR		
	Q 783	KRC102M-T	D TRANSISTOR		
	Q 784	2SA1706/ST/-T	TRANSISTOR		
	Q 789	KRA102M-T	D TRANSISTOR		
	Q 971	KRC102M-T	D TRANSISTOR		
	Q 972	KRA102M-T	D TRANSISTOR		
	Q 987	KRA102M-T	D TRANSISTOR		
	Q 988	KRC102M-T	D TRANSISTOR		
	Q 989	KRA102M-T	D TRANSISTOR		
	R 1	QRE141J-100Y	C RESISTOR	10 5% 1/4W	
	R 2	QRE141J-102Y	C RESISTOR	1.0K 5% 1/4W	
	R 3	QRE141J-102Y	C RESISTOR	1.0K 5% 1/4W	
	R 4	QRE141J-103Y	C RESISTOR	10K 5% 1/4W	
	R 5	QRE141J-102Y	C RESISTOR	1.0K 5% 1/4W	
	R 6	QRE141J-103Y	C RESISTOR	10K 5% 1/4W	
	R 9	QRE141J-103Y	C RESISTOR	10K 5% 1/4W	
	R 14	QRE141J-155Y	C RESISTOR	1.5M 5% 1/4W	
	R 15	QRE141J-475Y	C RESISTOR	4.7M 5% 1/4W	
	R 17	QRE141J-222Y	C RESISTOR	2.2K 5% 1/4W	
	R 18	QRE141J-223Y	C RESISTOR	22K 5% 1/4W	
	R 51	QRE141J-122Y	C RESISTOR	1.2K 5% 1/4W	
	R 52	QRE141J-472Y	C RESISTOR	4.7K 5% 1/4W	
	R 61	QRE141J-122Y	C RESISTOR	1.2K 5% 1/4W	
	R 62	QRE141J-472Y	C RESISTOR	4.7K 5% 1/4W	
	R 101	QRE141J-153Y	C RESISTOR	15K 5% 1/4W	
	R 103	QRE141J-101Y	C RESISTOR	100 5% 1/4W	
	R 104	QRE141J-334Y	C RESISTOR	330K 5% 1/4W	
	R 131	QRE141J-223Y	C RESISTOR	22K 5% 1/4W	
	R 132	QRE141J-222Y	C RESISTOR	2.2K 5% 1/4W	
	R 151	QRE141J-273Y	C RESISTOR	27K 5% 1/4W	
	R 152	QRE141J-823Y	C RESISTOR	82K 5% 1/4W	
	R 161	QRE141J-273Y	C RESISTOR	27K 5% 1/4W	
	R 162	QRE141J-823Y	C RESISTOR	82K 5% 1/4W	
	R 163	QRE141J-821Y	C RESISTOR	820 5% 1/4W	
	R 164	QRE141J-101Y	C RESISTOR	100 5% 1/4W	
	R 165	QRE141J-222Y	C RESISTOR	2.2K 5% 1/4W	
	R 201	QRE141J-153Y	C RESISTOR	15K 5% 1/4W	
	R 203	QRE141J-101Y	C RESISTOR	100 5% 1/4W	
	R 204	QRE141J-334Y	C RESISTOR	330K 5% 1/4W	
	R 231	QRE141J-223Y	C RESISTOR	22K 5% 1/4W	
	R 232	QRE141J-222Y	C RESISTOR	2.2K 5% 1/4W	
	R 251	QRE141J-273Y	C RESISTOR	27K 5% 1/4W	
	R 252	QRE141J-823Y	C RESISTOR	82K 5% 1/4W	
	R 261	QRE141J-273Y	C RESISTOR	27K 5% 1/4W	
	R 262	QRE141J-823Y	C RESISTOR	82K 5% 1/4W	
	R 263	QRE141J-821Y	C RESISTOR	820 5% 1/4W	
	R 264	QRE141J-101Y	C RESISTOR	100 5% 1/4W	
	R 265	QRE141J-222Y	C RESISTOR	2.2K 5% 1/4W	
	R 702	QRE141J-473Y	C RESISTOR	47K 5% 1/4W	
	R 703	QRE141J-473Y	C RESISTOR	47K 5% 1/4W	
	R 704	QRE141J-103Y	C RESISTOR	10K 5% 1/4W	
	R 705	QRE141J-473Y	C RESISTOR	47K 5% 1/4W	
	R 707	QRE141J-473Y	C RESISTOR	47K 5% 1/4W	
	R 708	QRE141J-473Y	C RESISTOR	47K 5% 1/4W	
	R 709	QRE141J-472Y	C RESISTOR	4.7K 5% 1/4W	
	R 710	QRE141J-472Y	C RESISTOR	4.7K 5% 1/4W	
	R 712	QRE141J-332Y	C RESISTOR	3.3K 5% 1/4W	
	R 713	QRE141J-332Y	C RESISTOR	3.3K 5% 1/4W	
	R 714	QRE141J-332Y	C RESISTOR	3.3K 5% 1/4W	
	R 715	QRE141J-101Y	C RESISTOR	100 5% 1/4W	

△	Item	Parts number	Parts name	Remarks	Area
	R 716	QRE141J-101Y	C RESISTOR	100 5% 1/4W	
	R 717	QRE141J-101Y	C RESISTOR	100 5% 1/4W	
	R 718	QRE141J-332Y	C RESISTOR	3.3K 5% 1/4W	
	R 719	QRE141J-332Y	C RESISTOR	3.3K 5% 1/4W	
	R 720	QRE141J-332Y	C RESISTOR	3.3K 5% 1/4W	
	R 721	QRE141J-332Y	C RESISTOR	3.3K 5% 1/4W	
	R 722	QRE141J-332Y	C RESISTOR	3.3K 5% 1/4W	
	R 723	QRE141J-102Y	C RESISTOR	1.0K 5% 1/4W	
	R 724	QRE141J-472Y	C RESISTOR	4.7K 5% 1/4W	
	R 725	QRE141J-473Y	C RESISTOR	47K 5% 1/4W	
	R 726	QRE141J-473Y	C RESISTOR	47K 5% 1/4W	
	R 727	QRE141J-473Y	C RESISTOR	47K 5% 1/4W	
	R 751	QRE141J-102Y	C RESISTOR	1.0K 5% 1/4W	
	R 753	QRE141J-473Y	C RESISTOR	47K 5% 1/4W	
	R 754	QRE141J-334Y	C RESISTOR	330K 5% 1/4W	
	R 757	QRE141J-473Y	C RESISTOR	47K 5% 1/4W	
	R 758	QRE141J-473Y	C RESISTOR	47K 5% 1/4W	
	R 761	QRE141J-102Y	C RESISTOR	1.0K 5% 1/4W	
	R 762	QRE141J-102Y	C RESISTOR	1.0K 5% 1/4W	
	R 763	QRE141J-102Y	C RESISTOR	1.0K 5% 1/4W	
	R 764	QRE141J-473Y	C RESISTOR	47K 5% 1/4W	
	R 771	QRE141J-472Y	C RESISTOR	4.7K 5% 1/4W	
	R 772	QRE141J-103Y	C RESISTOR	10K 5% 1/4W	
	R 773	QRE141J-102Y	C RESISTOR	1.0K 5% 1/4W	
	R 774	QRE141J-152Y	C RESISTOR	1.5K 5% 1/4W	
	R 783	QRE141J-473Y	C RESISTOR	47K 5% 1/4W	
	R 784	QRE141J-102Y	C RESISTOR	1.0K 5% 1/4W	
	R 785	QRE141J-473Y	C RESISTOR	47K 5% 1/4W	
	R 786	QRE141J-102Y	C RESISTOR	1.0K 5% 1/4W	
	R 787	QRE141J-101Y	C RESISTOR	100 5% 1/4W	
	R 788	QRE141J-242Y	C RESISTOR	2.4K 5% 1/4W	
	R 789	QRE141J-104Y	C RESISTOR	100K 5% 1/4W	
	R 790	QRE141J-474Y	C RESISTOR	470K 5% 1/4W	
	R 792	QRE141J-6R8Y	C RESISTOR	6.8 5% 1/4W	
	R 795	QRE141J-183Y	C RESISTOR	18K 5% 1/4W	
	R 796	QRE141J-473Y	C RESISTOR	47K 5% 1/4W	
	R 797	QRE141J-123Y	C RESISTOR	12K 5% 1/4W	
	R 901	QRE141J-101Y	C RESISTOR	100 5% 1/4W	
	R 931	QRE141J-100Y	C RESISTOR	10 5% 1/4W	
	R 951	QRE141J-472Y	C RESISTOR	4.7K 5% 1/4W	
	R 971	QRE141J-473Y	C RESISTOR	47K 5% 1/4W	
	R 972	QRE141J-471Y	C RESISTOR	470 5% 1/4W	
	R 990	QRE141J-103Y	C RESISTOR	10K 5% 1/4W	
	TU 1	QAU0221-001	FM FRONT END		
	X 701	QAX0406-001Z	CRYSTAL		

■ Electrical parts list (Front board)

Block No. 02

△	Item	Parts number	Parts name	Remarks	Area
	C 651	NCB21EK-104X	C CAPACITOR		
	C 652	NBE20JM-475X	TS E CAPACITOR		
	C 653	NCB21HK-681X	C CAPACITOR		
	CP701	VMC0335-001	CONNECTOR		
	D 601	LNJ308G81/1-3/X	LED		
	D 602	LNJ308G81/1-3/X	LED		
	D 603	LNJ308G81/1-3/X	LED		
	D 604	LNJ308G81/1-3/X	LED		
	D 605	LNJ308G81/1-3/X	LED		
	D 609	LNJ308G81/1-3/X	LED		
	D 610	LNJ308G81/1-3/X	LED		
	D 611	LNJ308G81/1-3/X	LED		
	D 612	LNJ308G81/1-3/X	LED		
	D 613	LNJ308G81/1-3/X	LED		
	D 614	LNJ308G81/1-3/X	LED		
	D 615	LNJ308G81/1-3/X	LED		
	D 616	LNJ308G81/1-3/X	LED		
	D 618	LNJ308G81/1-3/X	LED		
	D 619	LNJ308G81/1-3/X	LED		
	D 620	LNJ308G81/1-3/X	LED		
	D 621	LNJ308G81/1-3/X	LED		
	D 622	LNJ308G81/1-3/X	LED		
	D 623	SML-310LT/MN-X	LED		
	D 624	LNJ308G81/1-3/X	LED		
	IC651	LC75823W	IC		
	PL601	QLL0070-001	PILOT LAMP		
	PL603	QLL0070-001	PILOT LAMP		
	R 601	NRSA02J-271X	MG RESISTOR		
	R 602	NRSA02J-331X	MG RESISTOR		
	R 603	NRSA02J-391X	MG RESISTOR		
	R 604	NRSA02J-471X	MG RESISTOR		
	R 605	NRSA02J-561X	MG RESISTOR		
	R 606	NRSA02J-271X	MG RESISTOR		
	R 607	NRSA02J-331X	MG RESISTOR		
	R 608	NRSA02J-391X	MG RESISTOR		
	R 609	NRSA02J-471X	MG RESISTOR		
	R 610	NRSA02J-561X	MG RESISTOR		
	R 611	NRSA02J-821X	MG RESISTOR		
	R 612	NRSA02J-271X	MG RESISTOR		
	R 613	NRSA02J-331X	MG RESISTOR		
	R 614	NRSA02J-391X	MG RESISTOR		
	R 615	NRSA02J-471X	MG RESISTOR		
	R 616	NRSA02J-561X	MG RESISTOR		
	R 617	NRSA02J-821X	MG RESISTOR		
	R 621	NRSA02J-103X	MG RESISTOR		
	R 622	NRSA02J-103X	MG RESISTOR		
	R 623	NRSA02J-103X	MG RESISTOR		
	R 631	NRSA02J-821X	MG RESISTOR		
	R 632	NRSA02J-821X	MG RESISTOR		
	R 633	NRSA02J-821X	MG RESISTOR		
	R 634	NRSA02J-821X	MG RESISTOR		
	R 640	NRSA02J-331X	MG RESISTOR		
	R 641	NRSA02J-331X	MG RESISTOR		
	R 642	NRSA02J-821X	MG RESISTOR		
	R 644	NRSA02J-821X	MG RESISTOR		
	R 646	NRSA02J-821X	MG RESISTOR		
	R 648	NRSA02J-821X	MG RESISTOR		
	R 650	NRSA02J-511X	MG RESISTOR		
	R 651	NRSA02J-511X	MG RESISTOR		
	R 661	NRSA02J-152X	MG RESISTOR		
	R 662	NRSA02J-473X	MG RESISTOR		
	R 663	NRSA02J-154X	MG RESISTOR		
	S 601	NSW0066-001X	TACT SWITCH		

△	Item	Parts number	Parts name	Remarks	Area
	S 602	NSW0066-001X	TACT SWITCH		
	S 603	NSW0066-001X	TACT SWITCH		
	S 604	NSW0066-001X	TACT SWITCH		
	S 605	NSW0066-001X	TACT SWITCH		
	S 606	NSW0066-001X	TACT SWITCH		
	S 607	NSW0066-001X	TACT SWITCH		
	S 608	NSW0066-001X	TACT SWITCH		
	S 609	NSW0066-001X	TACT SWITCH		
	S 610	NSW0066-001X	TACT SWITCH		
	S 611	NSW0066-001X	TACT SWITCH		
	S 612	NSW0066-001X	TACT SWITCH		
	S 613	NSW0066-001X	TACT SWITCH		
	S 614	NSW0066-001X	TACT SWITCH		
	S 615	NSW0066-001X	TACT SWITCH		
	S 616	NSW0066-001X	TACT SWITCH		
	S 617	NSW0066-001X	TACT SWITCH		
	S 618	NSW0066-001X	TACT SWITCH		
	S 619	NSW0066-001X	TACT SWITCH		
	S 620	NSW0066-001X	TACT SWITCH		

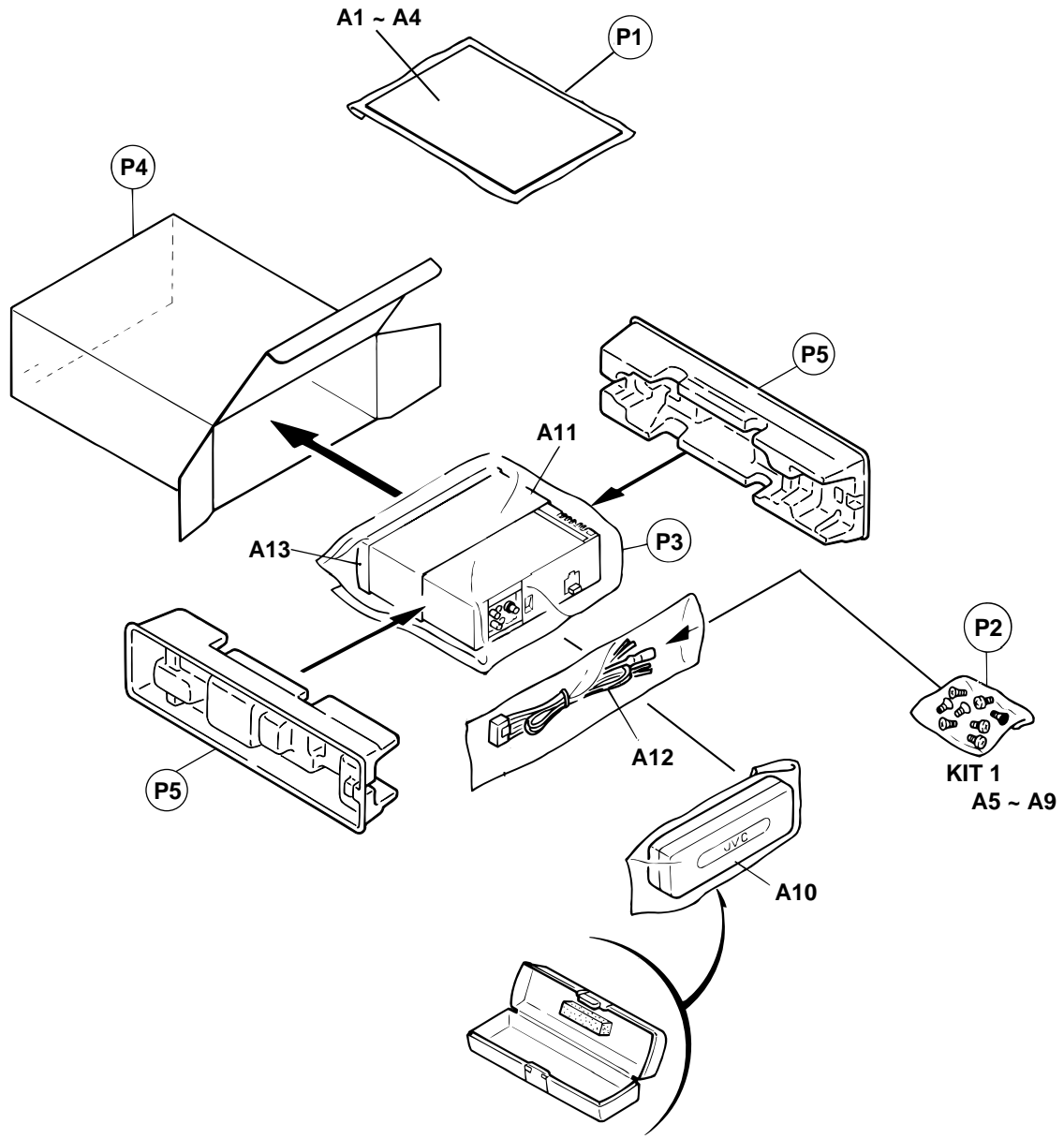
Packing materials and accessories parts list

Block No.

M	3	M	M
---	---	---	---

Block No.

M	4	M	M
---	---	---	---



Parts list (Packing)

Block No. M3MM

△	Item	Parts number	Parts name	Q'ty	Description	Area
	P 1	FSPG4002-001	POLY BAG	1	FOR INST BOOK	
	P 2	QPA00801205	POLY BAG	1	FOR SCREW KIT	
	P 3	QPC03004315P	POLY BAG	1	FOR SET	
	P 4	GE30123-027A	CARTON	1		
	P 5	FSPH1018-002	PAPER CUSHION	2	LEFT/RIGHT SIDE	

Parts list (Accessories)

Block No. M4MM

△	Item	Parts number	Parts name	Q'ty	Description	Area
	A 1	GET0002-001A	INST.BOOK	1	ENG RUS	
	A 2	GET0002-002A	INSTALL MANUAL	1	ENG RUS	
	A 3	LV40978-001A	CAUTION SHEET	1		
	A 4	BT-54013-1	WARRANTY CARD	1		
	A 5	VKZ4027-202	PLUG NUT	1		
	A 6	VKH4871-001SS	MOUNT BOLT	1		
	A 7	VKZ4328-001	LOCK NUT	1	FOR M5	
	A 8	WNS5000Z	WASHER	1		
	A 9	FSKL4010-002	HOOK	2		
	A 10	FSJB3002-30C	HARD CASE	1		
	A 11	FSKM2004-202	MOUNTING SLEEVE	1		
	A 12	QAM0089-001	16P CORD ASSY	1		
	A 13	FSJD2034-001	TRIM PLATE	1		
	KIT 1	KDGS717K-SCREW1	SCREW PARTS KIT	1	A5-A9	